

LS7

Lighting model

LS7-WH model
Lighting (Wire model)
LS7-WC model
Lighting on (M12 Connector model)

Buzzer model

Model LS7-FBWH
Lighting / Flashing / Buzzer (2 sounds) (Wire model)
Model LS7-BWC
Lighting / Buzzer (1 sound) (M12 Connector model)

Colors Red, Amber, Green, Blue, White

Globe Polycarbonate lens with high shock resistance and heat resistance

The LS7 Series features a sleek, smooth body design ideal for hygienic and sanitary cleaning applications. Models available with an M12 connector.

- IP65 standard; IP54 with audible alarm
- Smooth-surface, polycarbonate, shock resistant body design.
- Audible alarm sound options can be heard above machine noise
- High-contrast LED visibility
- Polycarbonate brackets available

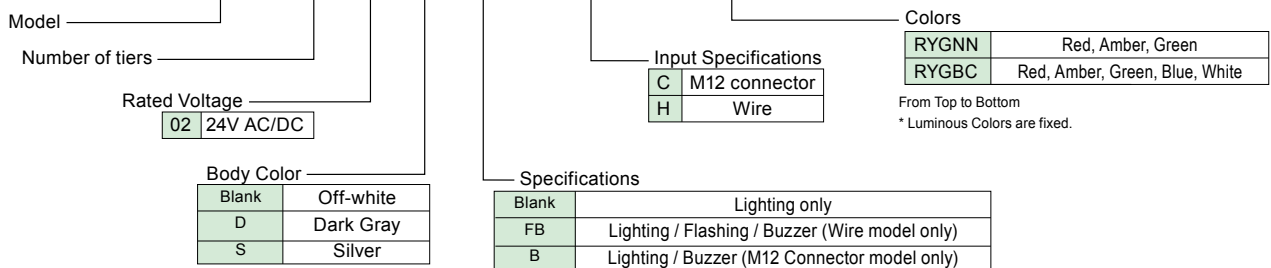


Specifications

Model	Number of Luminous Units	Rated Voltage	Mounting Method	Rated Current Consumption	Maximum Current Consumption	Maximum sound pressure	Operation Temperature Range	Protection Rating	Mass (±10%)	Body Color
LS7-302	3	24V DC (±10%)	Direct Mounting (Indoors Only)	Red: 20mA	Red: 35mA	Buzzer 1, approximately 82dB, Wire model (Fast Intermittent) M12 connector model (Continuous beep)	-30°C	Lighting model IP65	With buzzer: 0.26kg	Off-white (Blank) Off-darkgray (D) Silver (S)
LS7-502	5			Amber, Green, Blue, White: 30mA	Amber, Green, Blue, White: 40mA	Buzzer 2, approximately 85dB, Wire model (Fast Alternating Intermittent) M12 connector model (No Buzzer)	60°C	Buzzer model IP54	Without buzzer: 0.35kg	Off-white (Blank) Off-darkgray (D) Silver (S)

Model Code

LS7-502SFBWH-RYGBC



* F Lighting / Flashing model has H wire only.
* For C (M12 Connector model), the buzzer sound is continuous.

Example: LS7-302WC-RYGNN

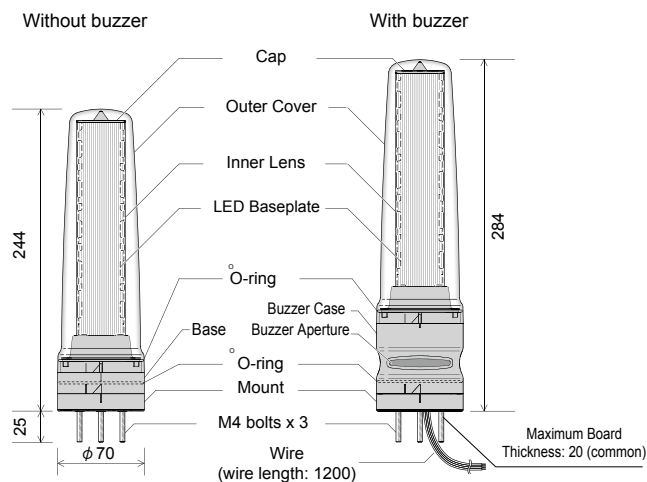
- Body color: Off-white
- Buzzer availability: not available
- LED Color: Red Amber Green (none) (none)
- Illumination specification - Lighting only
- Input specification - M12 connector

Optional Parts

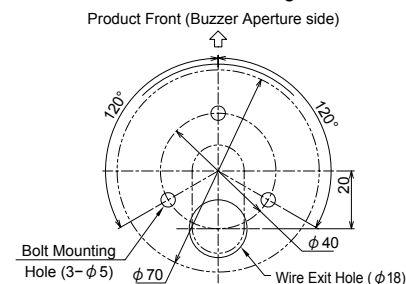
For details, see pages 182 to 187.

Optional Parts	Model
Platform Bracket (Off-white)	Model SZ-100
Platform Bracket (Off-darkgray)	Model SZ-100D
Platform Bracket (Silver)	Model SZ-100S
Wallmount Bracket (Off-white)	Model SZ-110
Wallmount Bracket (Off-darkgray)	Model SZ-110D
Wallmount Bracket (Silver)	Model SZ-110S
Multi-mount Bracket (Off-white)	Model SZ-130
Multi-mount Bracket (Off-darkgray)	Model SZ-130D
Multi-mount Bracket (silver)	Model SZ-130S
Connector with cable, cable length 2m (Omron model)	SZ-120-02 (XS2F-D821-DH0-R)
Connector with cable, cable length 5m (Omron model)	SZ-120-05 (XS2F-D821-GH0-R)
Connector with cable, cable length 10m (Omron model)	SZ-120-10 (XS2F-D821-JH0-R)

Dimensions (mm)



Installation Dimension Drawings



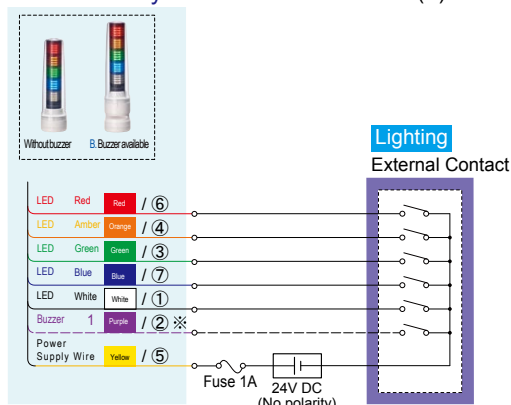
Wiring Diagram

LS7-□□□□ (WH) (WC) (BWC) model

■ Without Lighting / Audible, B. Audible available

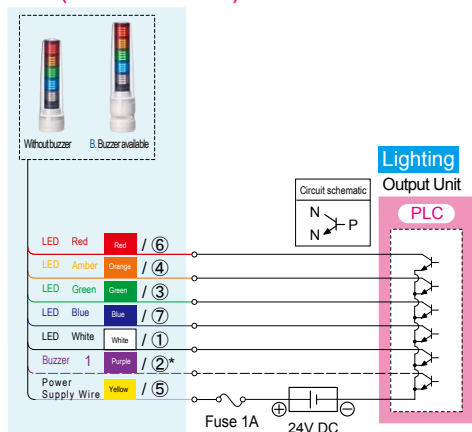
Contact Relay

Model: LS7-502□(B)W□



* Only products with audible available

PLC (NPN transistor)

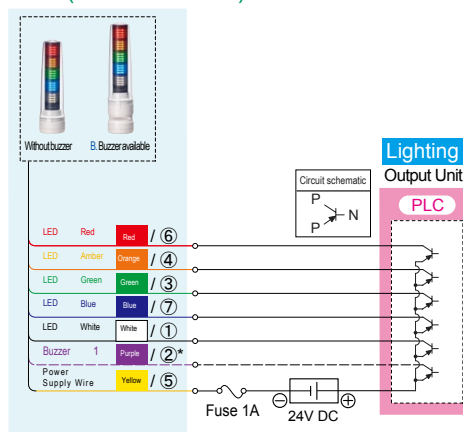


* Only products with audible available

Example) BWC model

	Tone	Sound pressure
Audible 1 (Purple)	Continuous Beep	70dB - 82dB

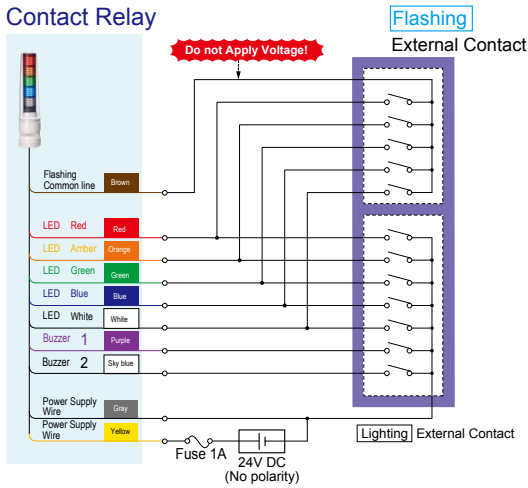
PLC (PNP transistor)



* Only products with audible available

■ F. Lighting / Flashing. B. Audible available Model: LS7-502□FBWH

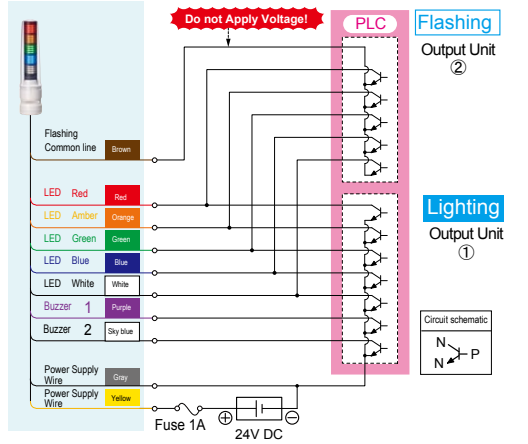
Contact Relay



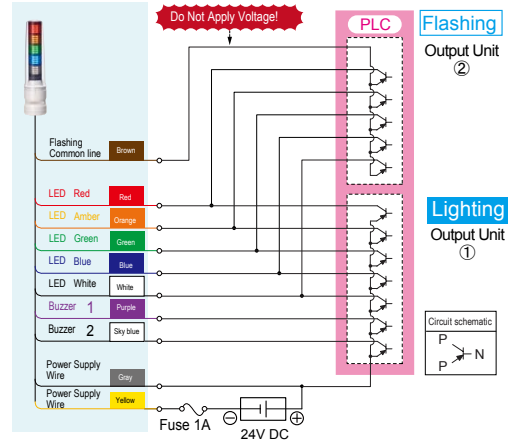
Example) FBWH model

	Tone	Sound pressure
Audible 1 (Purple)	Fast Intermittent	70dB - 82dB
Audible 2 (Sky blue)	Fast Alternating Intermittent	70dB - 85dB

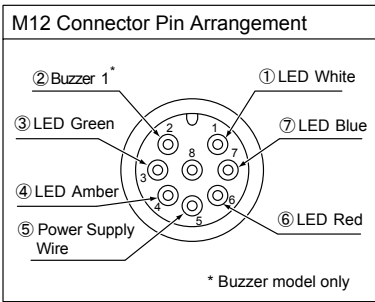
PLC (NPN transistor)



PLC (PNP transistor)



Note: To turn on the lamp and flash the lamp, you need to prepare two separate output units for turning the lamp on and for flashing the lamp.



External Contact specifications

■ Contact Relay (switch)

Rated Load Voltage	Rated Amperes	
	LED	Buzzer
24V DC	100mA or more per tier	200mA or higher

■ PLC Output Unit

Rated Load Voltage	Rated Amperes		Leakage Current
	LED	Buzzer	
24V DC	100mA or more per tier	200mA or higher	0.1mA or less